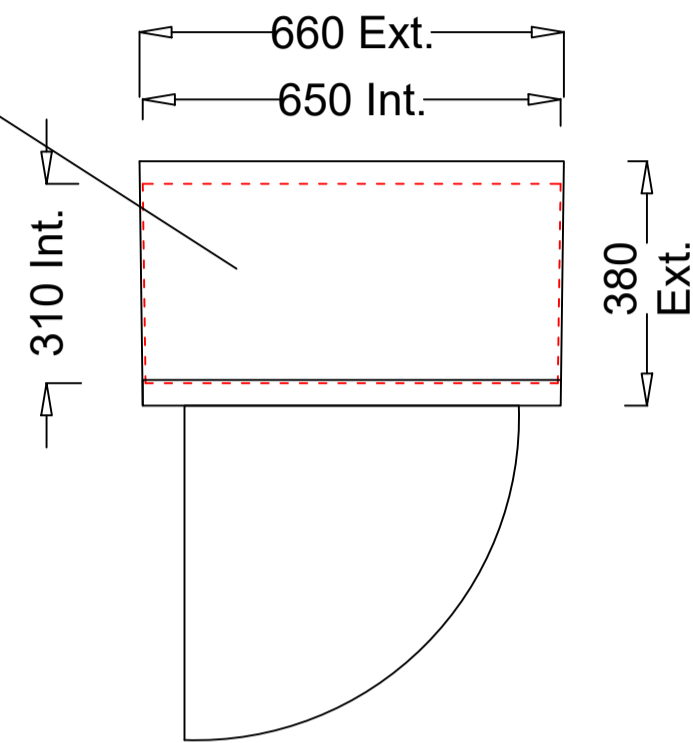


Non Load bearing GRP Floor

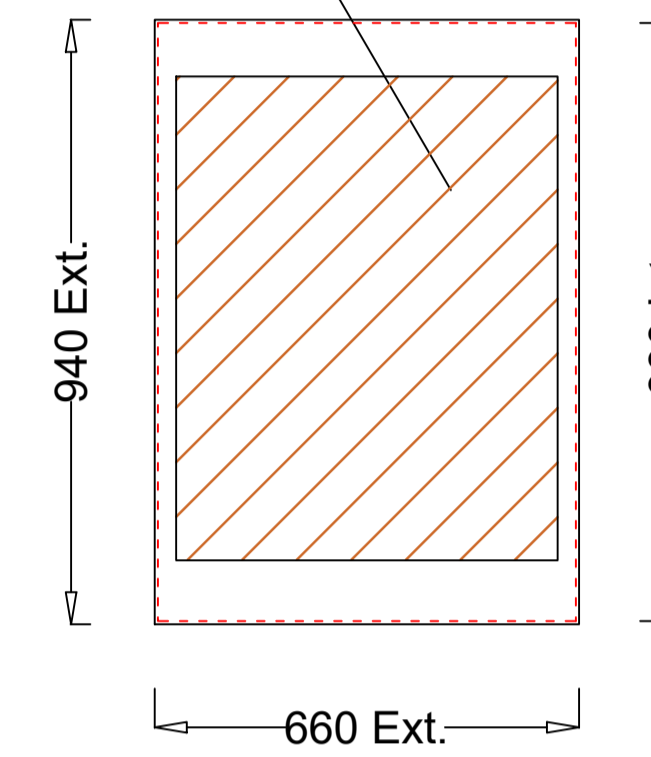


New photos here

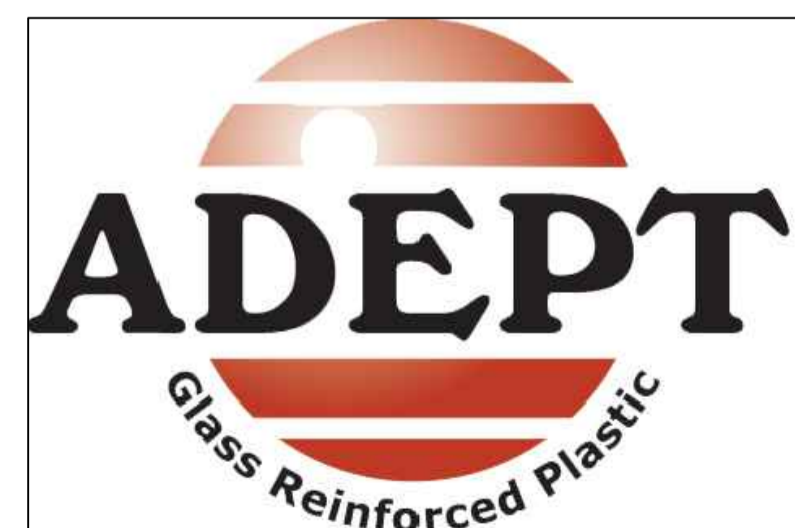
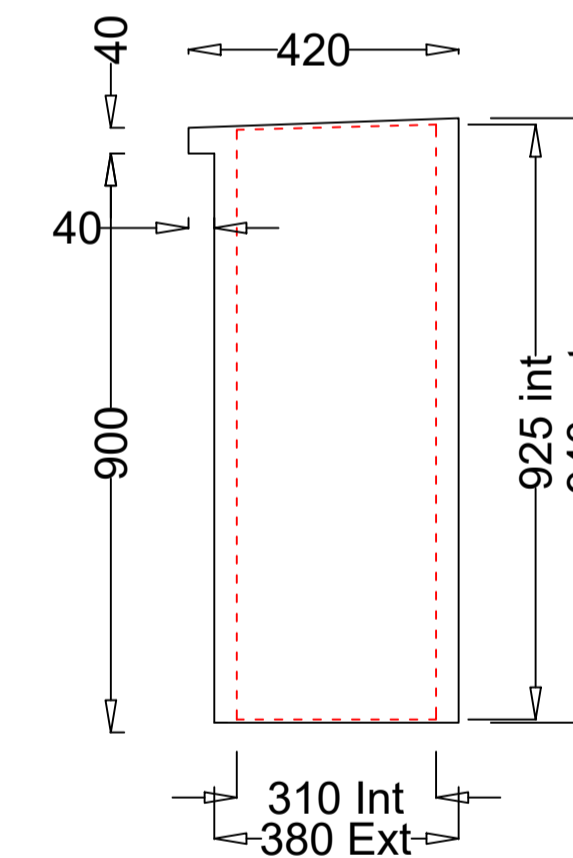
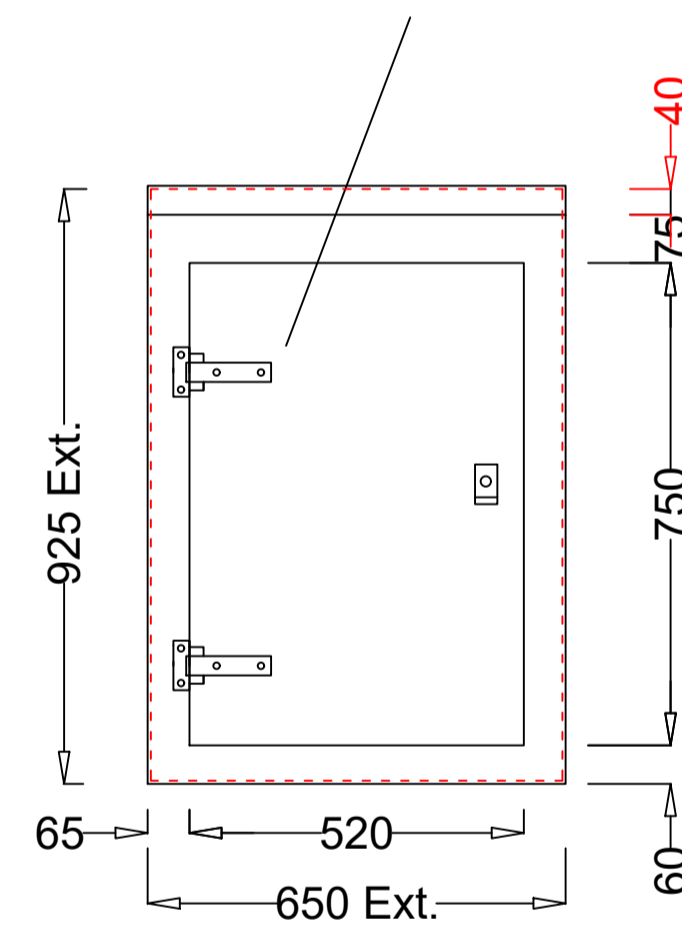
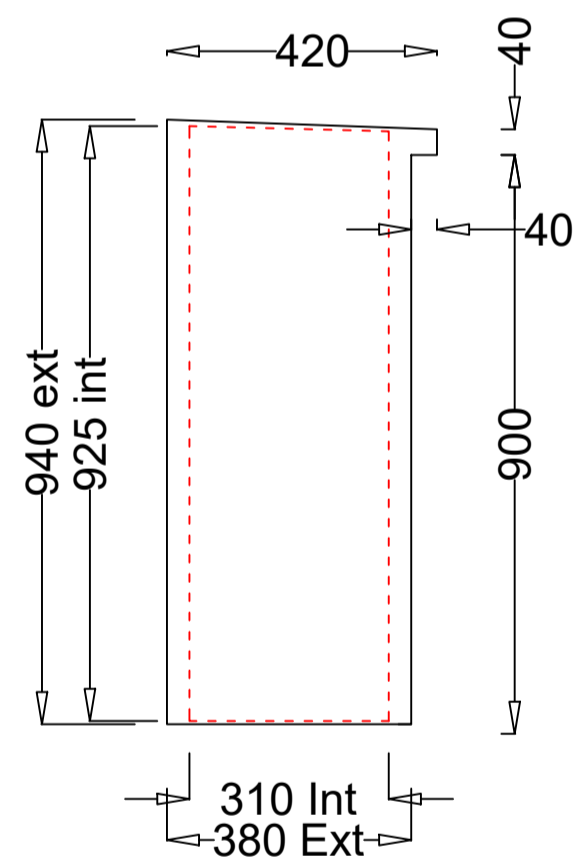


Backboard size TBC

1No. 000 x 000 mm, 18mm Surface Treated Ply Backboard



- 1No. Single door (520 mm W x 750mm H Clear Opening)
- 2No. St/St Hinges
- 1No. Yale type Lock
- 1No. Compression Seal



Adept GRP Cabinets Ltd  
Tel: 01269 843355  
Tel: 01269 832189  
Fax: 01269 844324  
Unit 4, Heathfield Industrial Estate,  
Thornhill Rd, Cwmgwili, Crosshands  
SA14 6PT

Company: ADEPT GRP Cabinets Ltd

Contact: Daniel Phillips

Scheme Title: VN1

Drawn: Liam Brown

Date: 21.08.23

Approx. Weight = 30KG

"U" Value = 3.0 W/sq.m/degC

External Colour - BS 14-C-39 or BS 10-A-05

Construction: Single skin

Rev: A