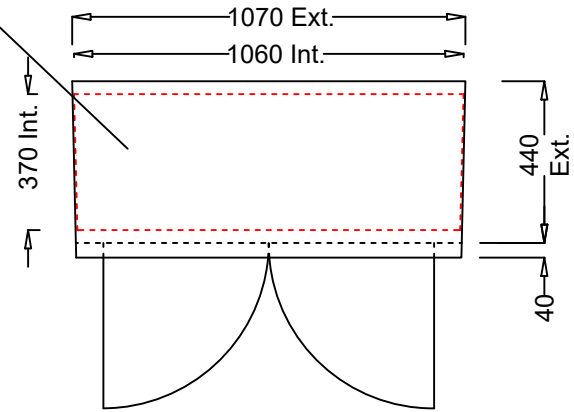
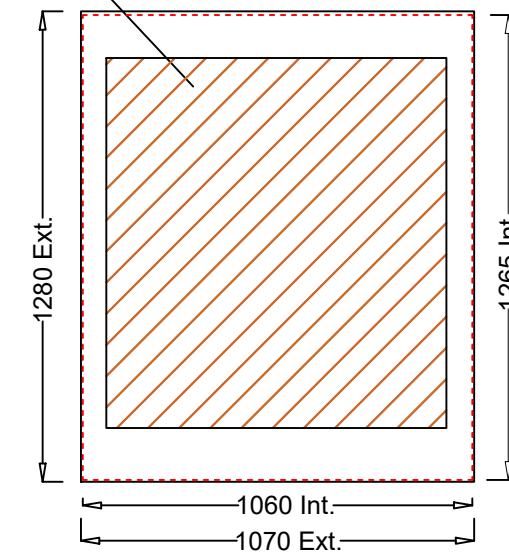


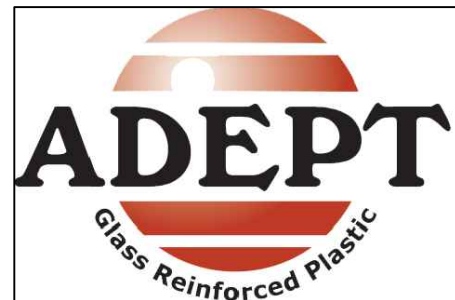
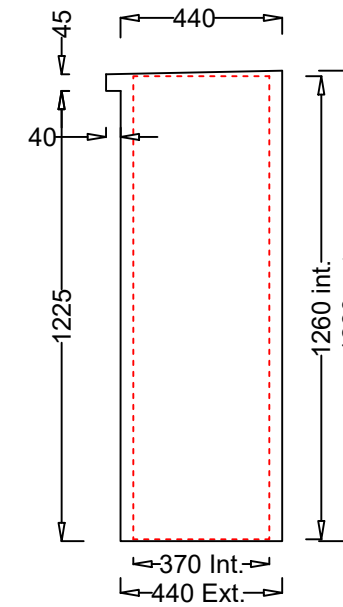
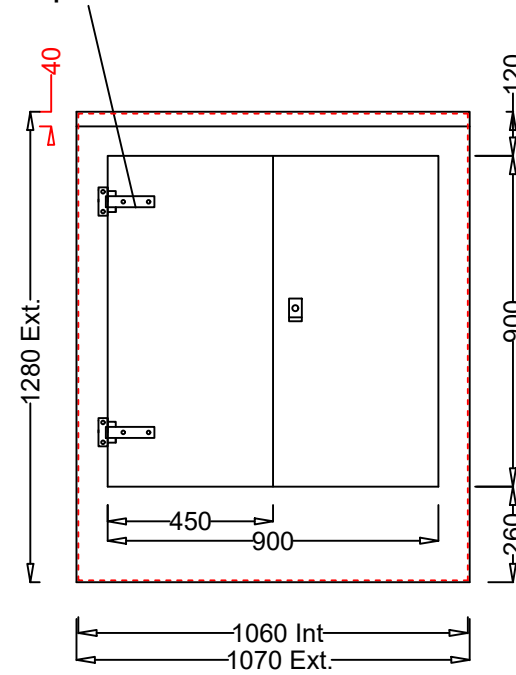
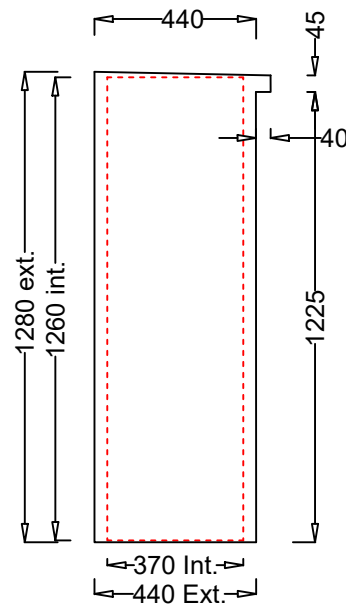
Non Load bearing GRP Floor



1No. 8700 x 1080 mm, 18mm Surface Treated Ply Backboard



1No. Double door (900mm W x 900mm H Clear Opening)
 4No. St/St Hinges
 1No. Yale type Lock
 1No. Compression Seal



Adept GRP Cabinets Ltd
 Tel: 01269 843355
 Tel: 01269 832189
 Fax: 01269 844324
 Unit 4, Heathfield Industrial Estate,
 Thornhill Rd, Cwmgwili, Crosshands
 SA14 6PT

Company: ADEPT GRP Cabinets Ltd

Contact: Daniel Phillips

Scheme Title: VN5

Drawn:Liam Brown

Date: 29.08.23

Approx. Weight = 0KG

External Colour - BS 14-C-39 or BS 10-A-05

"U" Value = 3.0 W/sq.m/degC

Construction: Single skin

Rev: A