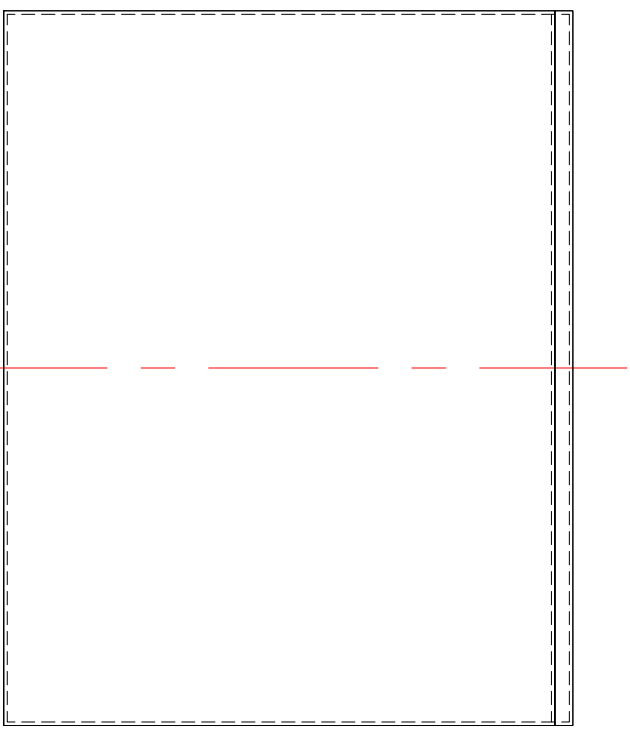
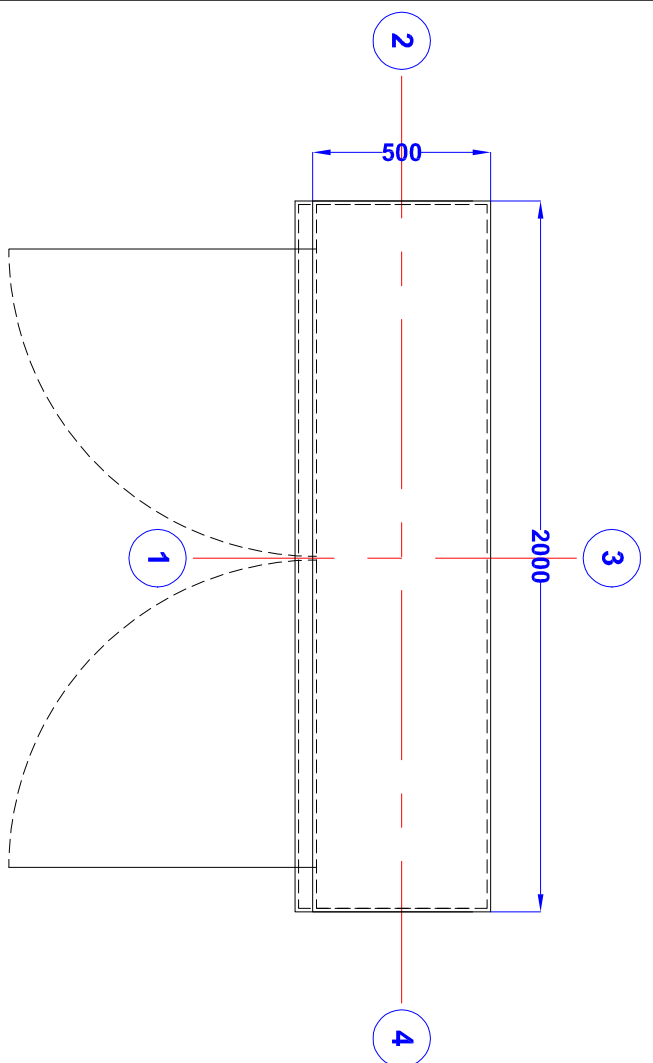




CLIENT OPTIONS

ENCAPSULATED MOUNTING BOARDS.
 YALE TYPE LOCK.
 HASP AND STAPLE.
 COMPRESSION LOCKS.
 VENTILATION.
 CABLE ENTRY FLAPS.
 LIGHTING.
 HEATING.
 OPEN BASE WITH FIXING FLANGE.
 CLOSED / SEALED GRP BASE.
 RANGE OF COLOURS.



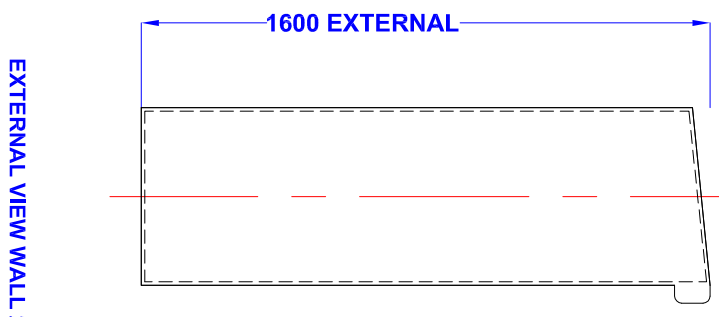
EXTERNAL PLAN VIEW

EXTERNAL VIEW WALL 3

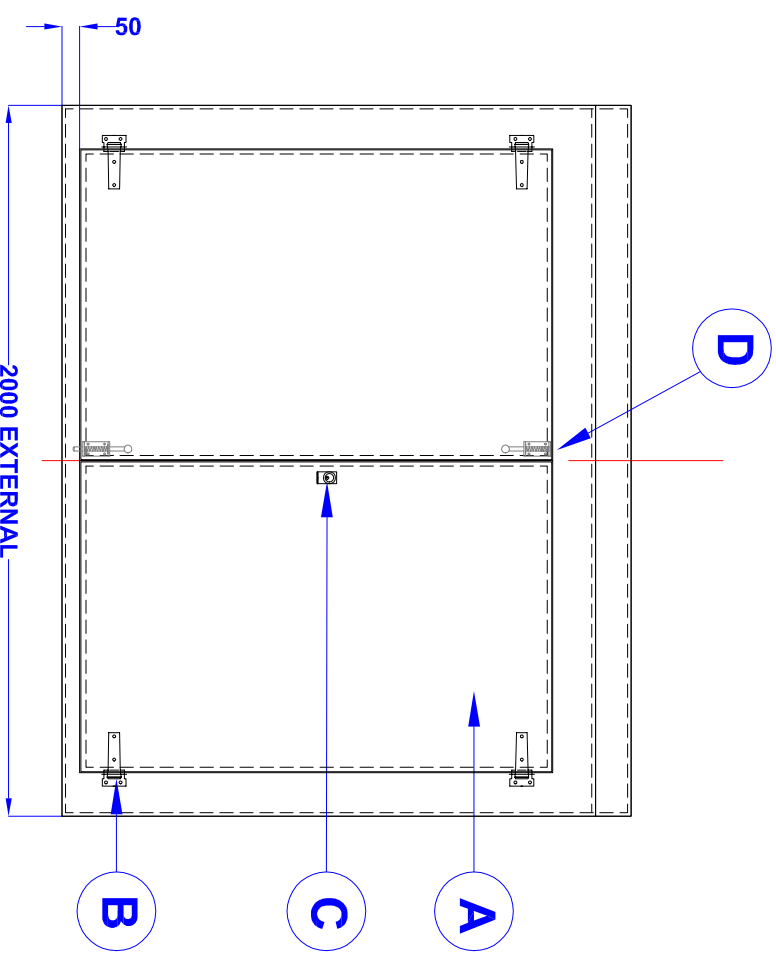
FINISH AND COLOUR				
FINISH COLOUR REF. CODE	EXTERNAL	INTERNAL	ROOF	DOOR(S)
	SEMI GLOSS TBC	WHITE	SEMI GLOSS TBC	SEMI GLOSS TBC

PARTS LIST

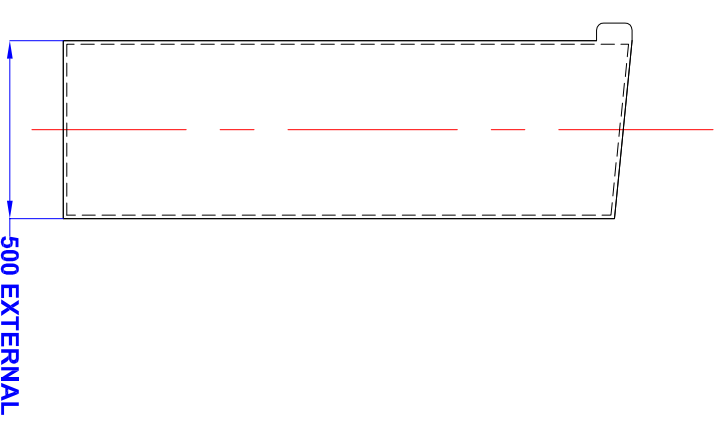
ITEM	DESCRIPTION	QTY.	COMMENTS
PANELS	WALL PANELS	4	
ROOF	ROOF PANEL	1	
FLOOR	FULLY ENCAPSULATED SINGLE SKIN	1	
A	DOUBLE DOOR	1	1730W x 1330H
B	STAINLESS STEEL HINGES	4	
C	SELECTED LOCK TYPE	1	
D	SPRING TOWER BOLTS	2	



EXTERNAL VIEW WALL 2



EXTERNAL VIEW WALL 1



EXTERNAL VIEW WALL 4

MANUFACTURING INFORMATION

WALLS: GRP_900CSM
 ROOF: GRP_900CSM
 BUILD TYPE: READY BUILT
 BASE: 100mm FIXING FLANGE

REV.	DATE	DESCRIPTION	BY
A	18/05	REVIEW	VP

REVISION HISTORY			
DRAWN	DATE	DRAWING NUMBER	
V.PHILLIPS	18/05/07	0001A	