



FINISH AND COLOUR				
FINISH	EXTERNAL	INTERNAL	ROOF	DOOR(S)
COLOUR	SEMI GLOSS	GRP	SEMI GLOSS	SEMI GLOSS
REF. CODE	TBA	WHITE	TBA	TBA

PARTS LIST

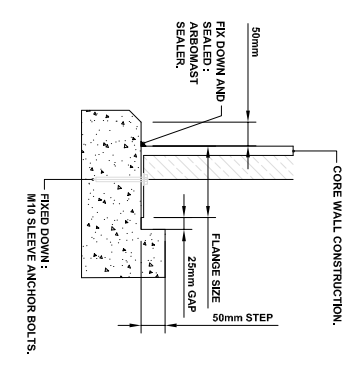
ITEM	DESCRIPTION	QTY.	COMMENTS
PANELS	WALL PANELS	4	
ROOF	ROOF PANEL	1	
A	DOUBLE DOOR	1	1750W x 1750H
B	HEAVY DUTY HINGES	4	
C	YALE TYPE LOCK	1	
D	HOLD OPEN DOOR STAY	2	
E	BACK BOARD	1	1220 H X FULL W

▲ ASSEMBLY PARTS

STEPPED CONCRETE BASE :
RECOMMENDED.

(Max Deviation Allowable +-10mm)
Any failure in the seal, resulting in subsequent site visits would be chargeable.
The step will affect clear internal height. ie a 50mm step will reduce the clear internal height quoted by 50mm.

Gaps between the concrete base and GRP base flange - In Excess of 15mm will not be guaranteed by Adept GRP.



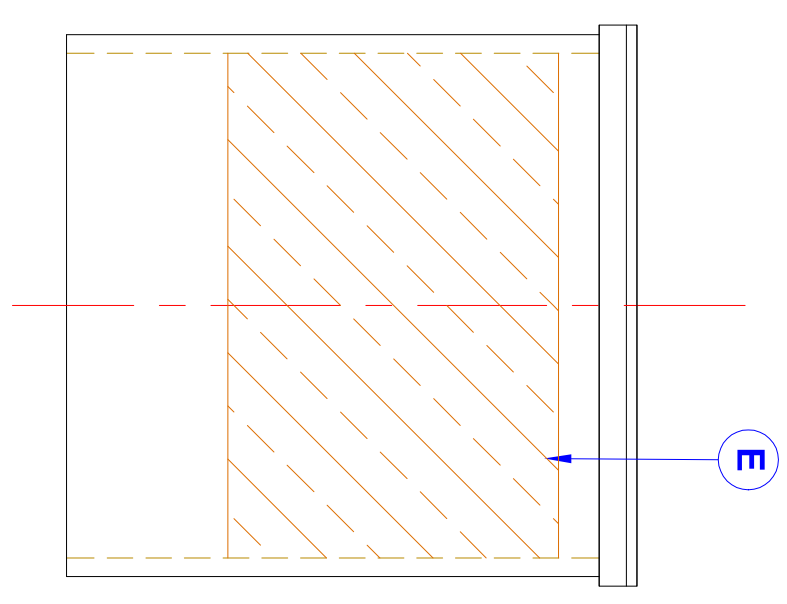
MANUFACTURING INFORMATION

WALLS: GRP/450CSM/SINGLE-SKIN/GRP
ROOF: GRP/450CSM/SINGLE-SKIN/GRP
BUILD TYPE: READY BUILT
BASE FLANGE: 120 mm FLANGE

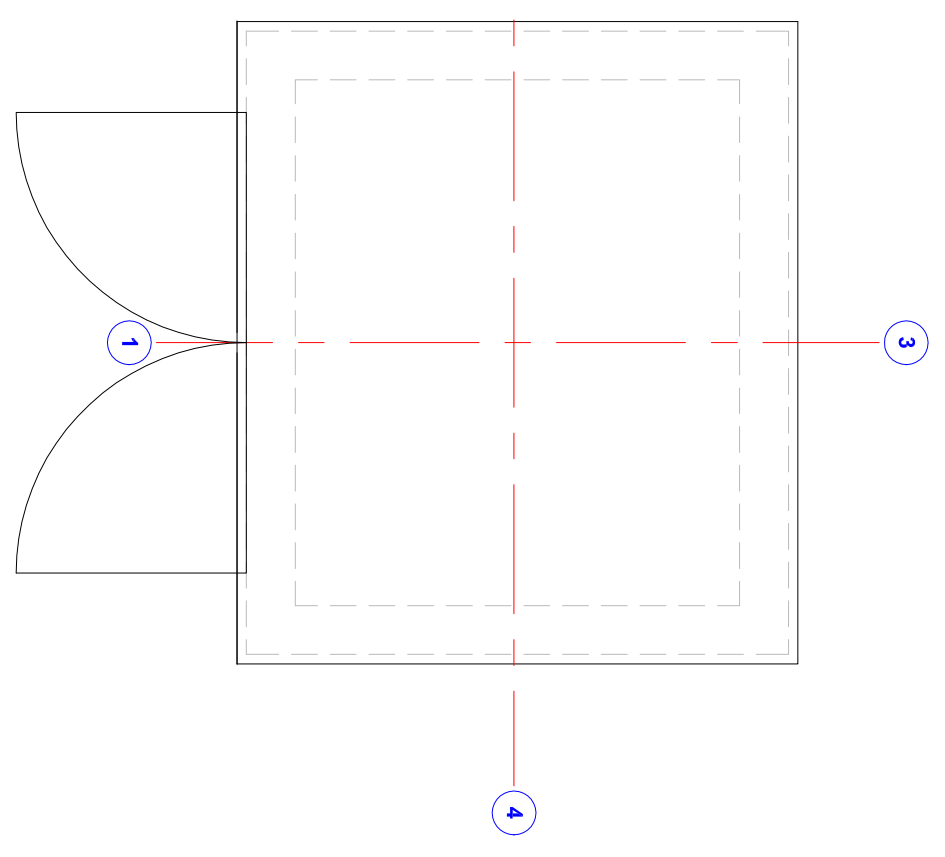
REV.	DATE	DESCRIPTION	BY

REVISION HISTORY	
DRAWN	DATE
V.PHILLIPS	

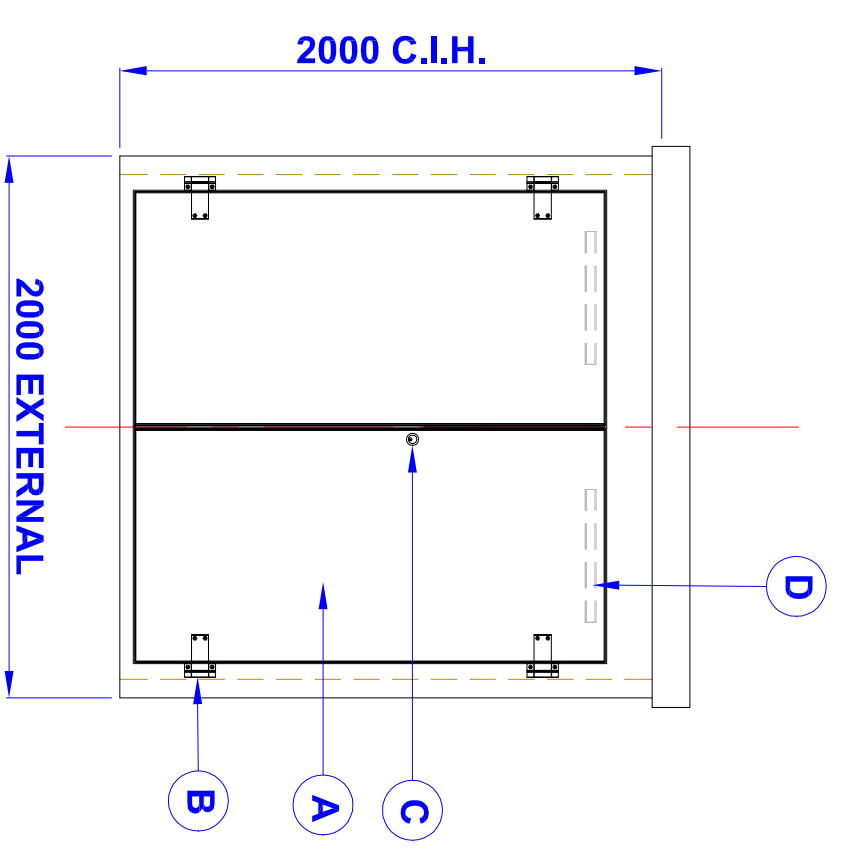
DRAWING NUMBER: **00108**



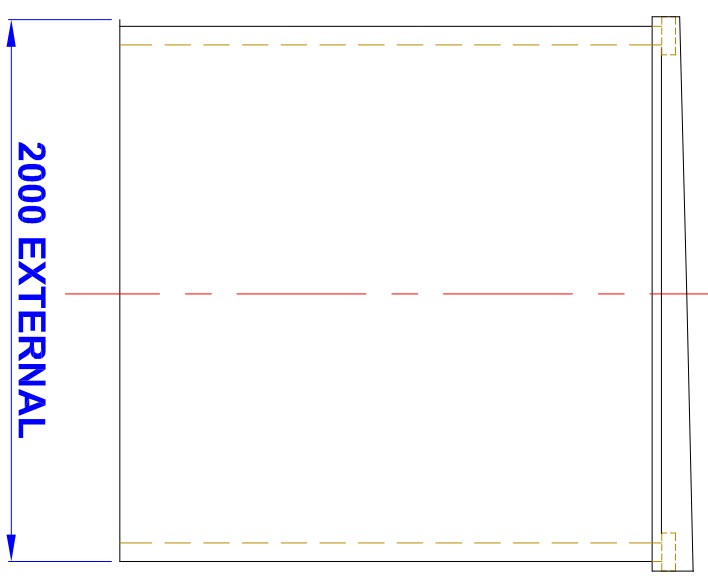
EXTERNAL VIEW WALL 3



EXTERNAL PLAN VIEW



EXTERNAL VIEW WALL 1



EXTERNAL VIEW WALL 2