



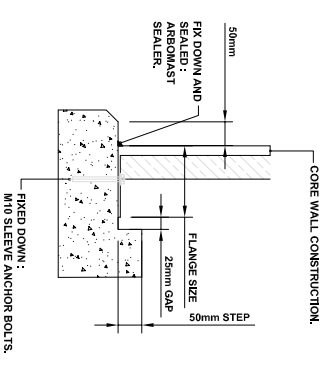
FINISH AND COLOUR				
FINISH	EXTERNAL	INTERNAL	ROOF	DOOR(S)
COLOUR	SEMI GLOSS	GRP	SEMI GLOSS	SEMI GLOSS
REF. CODE	TBA	WHITE	TBA	TBA

**PARTS LIST**

ITEM	DESCRIPTION	QTY.	COMMENTS
PANELS	WALL PANELS	4	
ROOF	ROOF PANEL	1	
A	DOUBLE DOOR	1	1750W x 1750H
B	HEAVY DUTY HINGES	4	
C	YALE TYPE LOCK	1	
D	HOLD OPEN DOOR STAY	2	
E	BACK BOARD	1	1220 H X FULL W

**STEPPED CONCRETE BASE : RECOMMENDED.**

(Max Deviation Allowable +-10mm)  
 Any failure in the seal, resulting in subsequent site visits would be chargeable.  
 This step will affect clear internal height. ie a 50mm step will reduce the clear internal height quoted by 50mm.  
 Gaps between the concrete base and GRP base flange - In Excess of 15mm will not be guaranteed by Adept GRP.

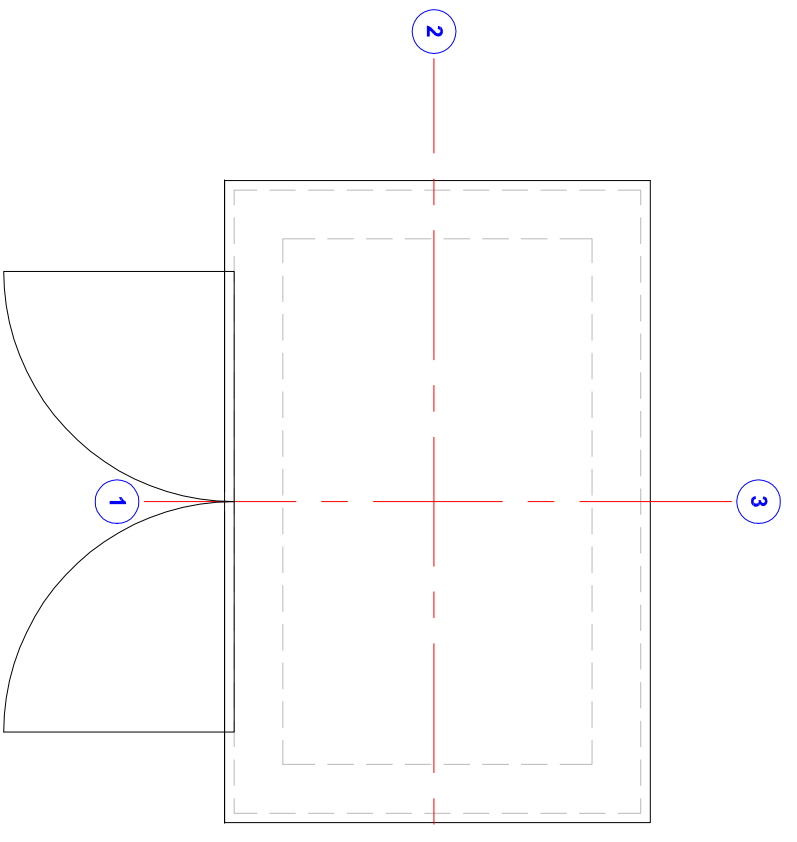


**MANUFACTURING INFORMATION**

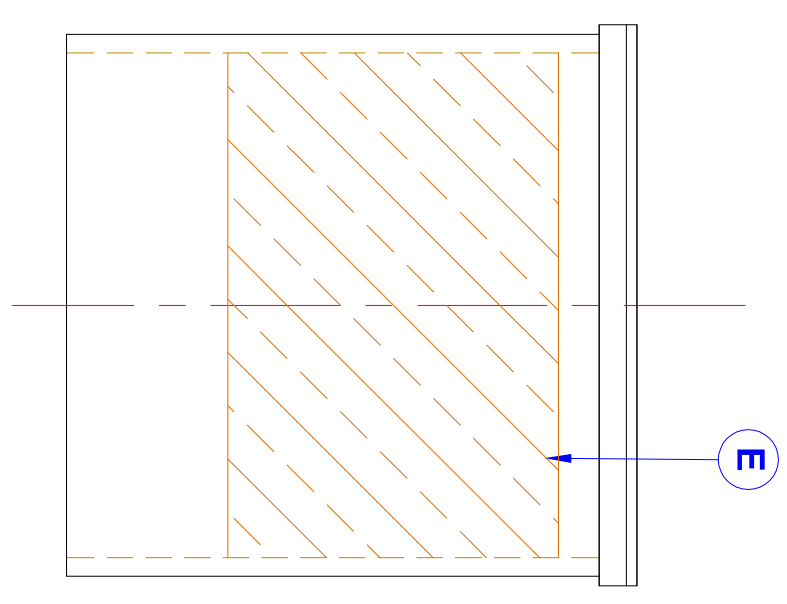
**WALLS:** GRP/450CSM/SINGLE-SKIN/GRP  
**ROOF:** GRP/450CSM/SINGLE-SKIN/GRP  
**BUILD TYPE:** READY BUILT  
**BASE FLANGE:** 120 mm FLANGE

REV.	DATE	DESCRIPTION	BY

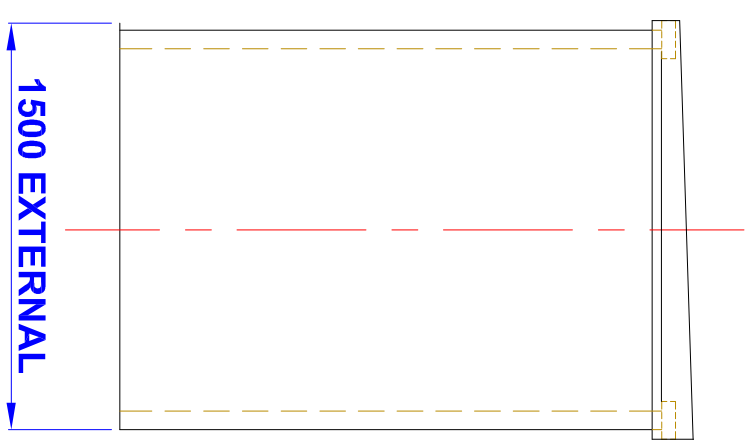
REVISION HISTORY			



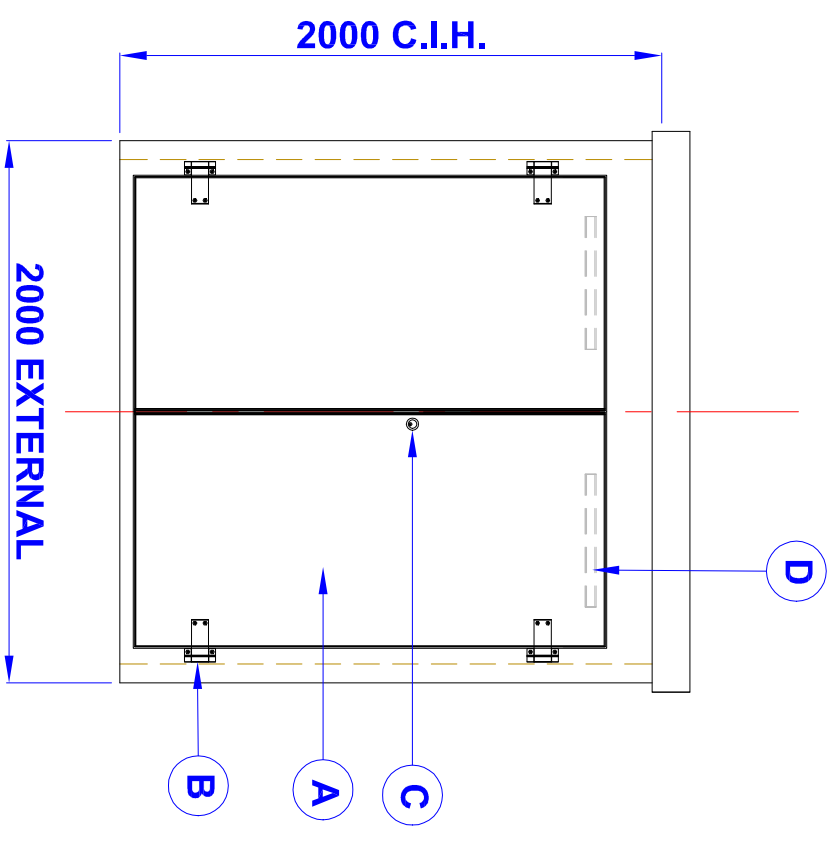
**EXTERNAL PLAN VIEW**



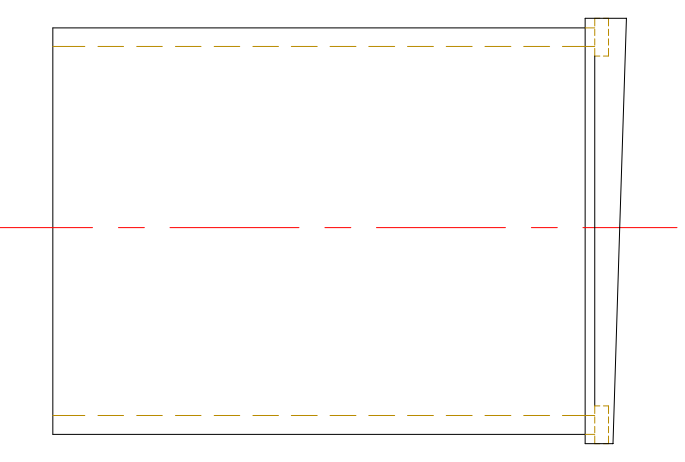
**EXTERNAL VIEW WALL 3**



**EXTERNAL VIEW WALL 2**



**EXTERNAL VIEW WALL 1**



**EXTERNAL VIEW WALL 4**