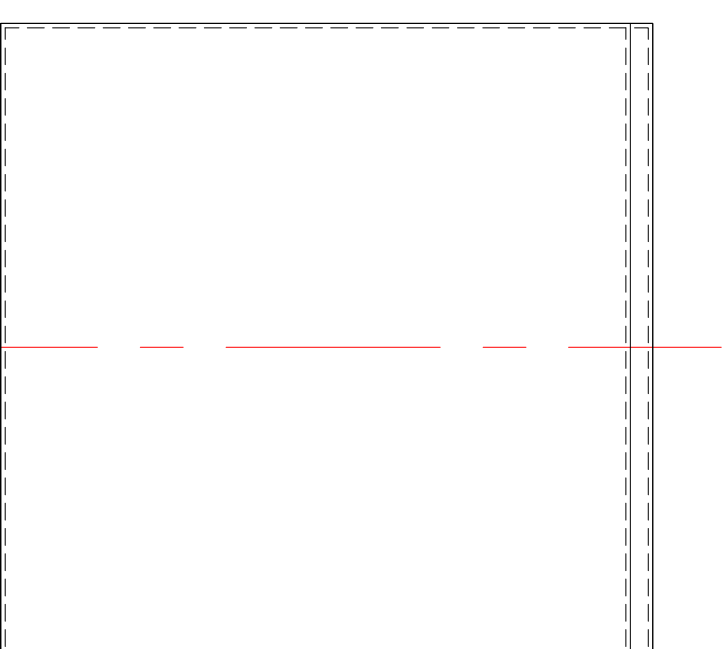


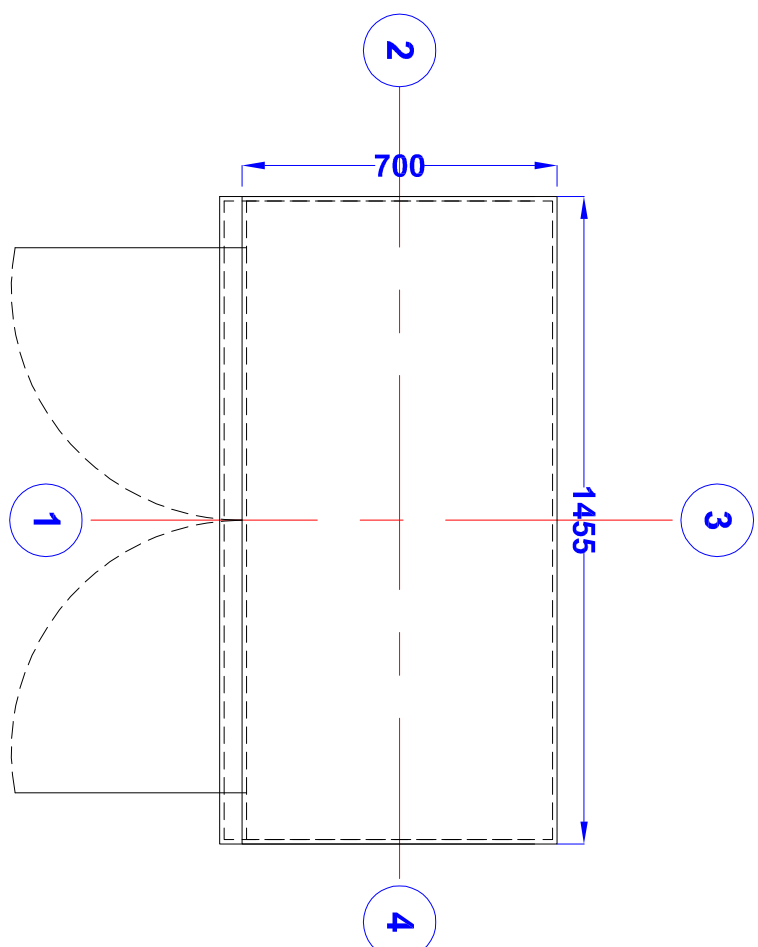


CLIENT OPTIONS

ENCAPSULATED MOUNTING BOARDS.
 YALE TYPE LOCK.
 HASP AND STAPLE.
 COMPRESSION LOCKS.
 VENTILATION.
 CABLE ENTRY FLAPS.
 LIGHTING.
 HEATING.
 OPEN BASE WITH FIXING FLANGE.
 CLOSED / SEALED GRP BASE.
 RANGE OF COLOURS.



EXTERNAL VIEW WALL 3



EXTERNAL PLAN VIEW

FINISH AND COLOUR				
FINISH COLOUR REF. CODE	EXTERNAL	INTERNAL	ROOF	DOOR(S)
	SEMI GLOSS TBC	WHITE	SEMI GLOSS TBC	SEMI GLOSS TBC

PARTS LIST

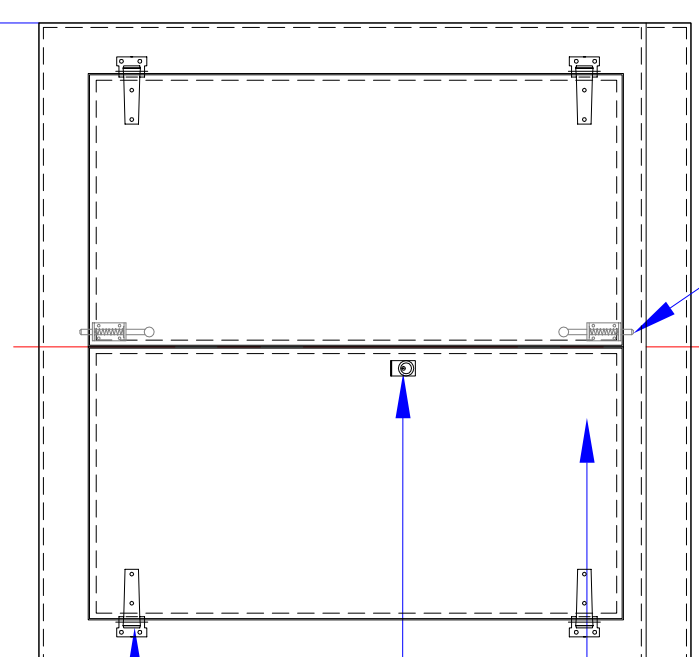
ITEM	DESCRIPTION	QTY.	COMMENTS
PANELS	WALL PANELS	4	
ROOF	ROOF PANEL	1	
FLOOR	FULLY ENCAPSULATED SINGLE SKIN	1	
A	DOUBLE DOOR	1	1195W x 1190H
B	STAINLESS STEEL HINGERS	4	
C	SELECTED LOCK TYPE	1	
D	SPRING TOWER BOLTS	2	

MANUFACTURING INFORMATION

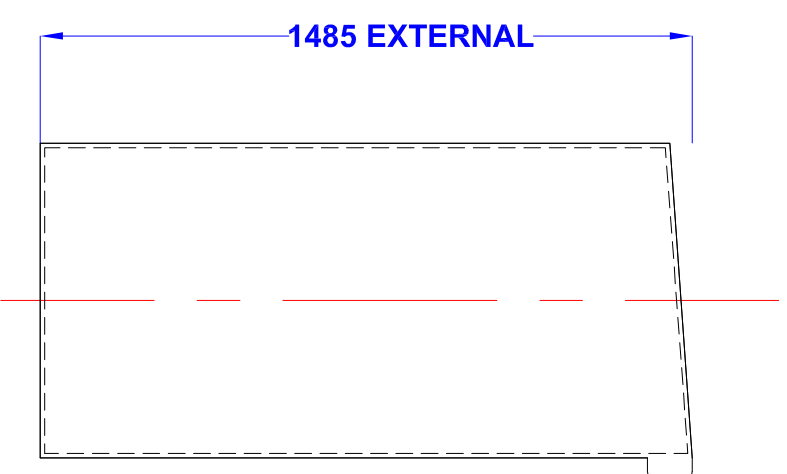
WALLS: GRP_900CSM
 ROOF: GRP_900CSM
 BUILD TYPE: READY BUILT
 BASE: 100mm FIXING FLANGE

REV.	DATE	DESCRIPTION	BY
A	18/05	REVIEW	VP

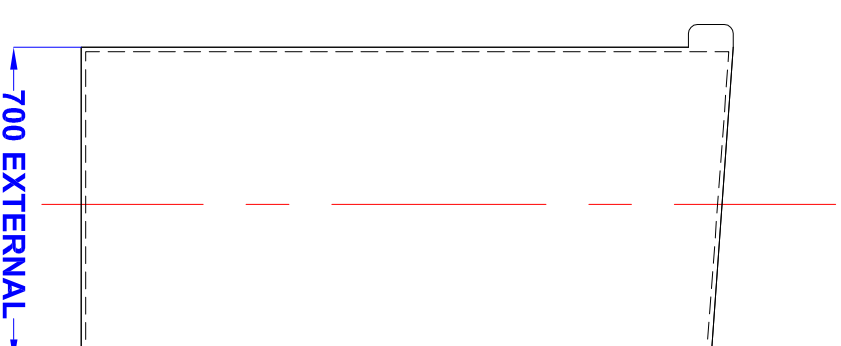
REVISION HISTORY			
REV.	DATE	DESCRIPTION	BY
A	18/05	REVIEW	VP



EXTERNAL VIEW WALL 1



EXTERNAL VIEW WALL 2



EXTERNAL VIEW WALL 4